

A L E R A. Welded Storage Cabinets

Model Numbers: ALE-CM7818xx, ALE-CM7824xx, ALE-CM7218xx, ALE-CM4218xx

Please Retain Instructions for Future Reference



READ THIS FIRST:

- BEFORE discarding carton, check all contents for damage or missing parts.
- CABINET KEYS are attached with a zip-tie to the inside of the cabinet right door.
- For fastest and damage-free installation, please carefully read and follow the assembly instructions.
- Do not use power tools on product.
- For product returns, parts and support, please call 1 (800) 733-4000.

Safety Instructions

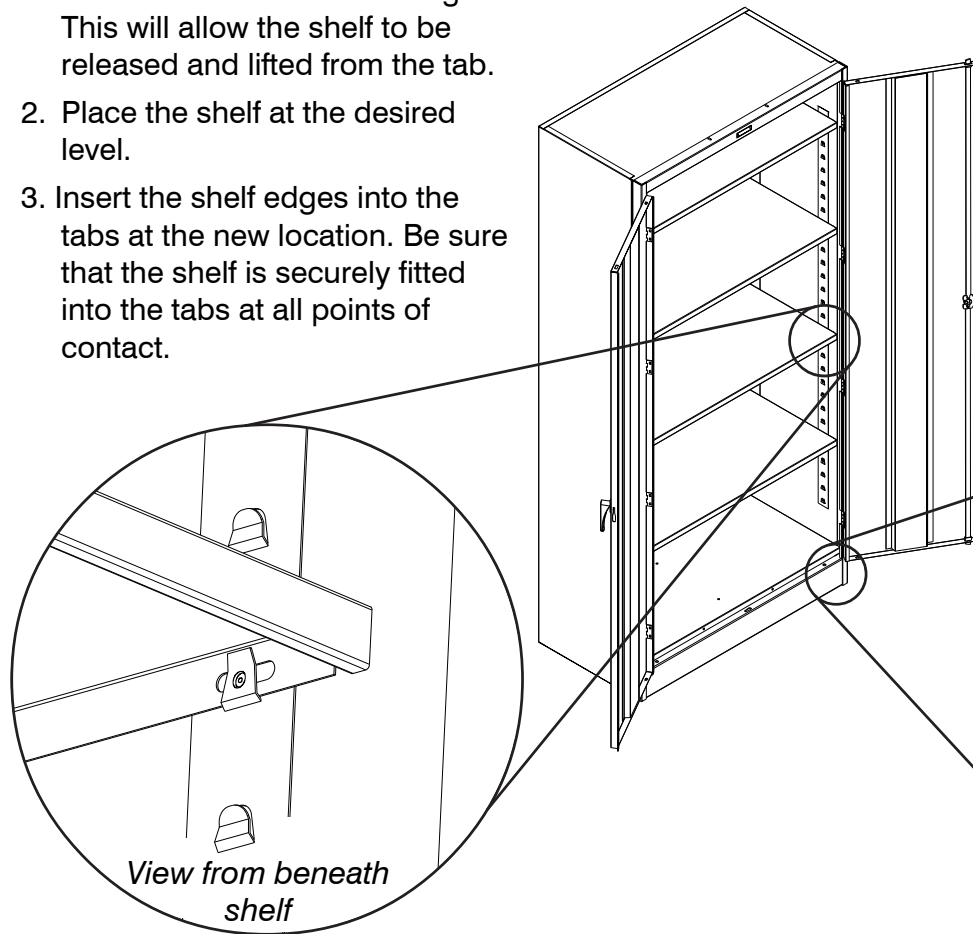
CAUTION: Use caution when handling and assembling metal parts. Metal may have sharp edges or corners. Manufacturer recommends the use of protective gloves while making adjustments to the product.

- This unit should be installed on a level surface.
- Do not use this unit as a step ladder. Do not climb on the unit.
- Do not exceed the manufacturer's recommended weight capacity of 150 lbs. / 68 kg. on each shelf for 18"d and 200 lbs. / ?? kg. on each shelf for 24"d.
- Always distribute weight evenly on shelves.
- The manufacturer recommends the storage of heavier items on bottom shelves.

All assembly instructions must be followed exactly or the unit may not be assembled correctly and may not be stable. Install the unit on a level surface.

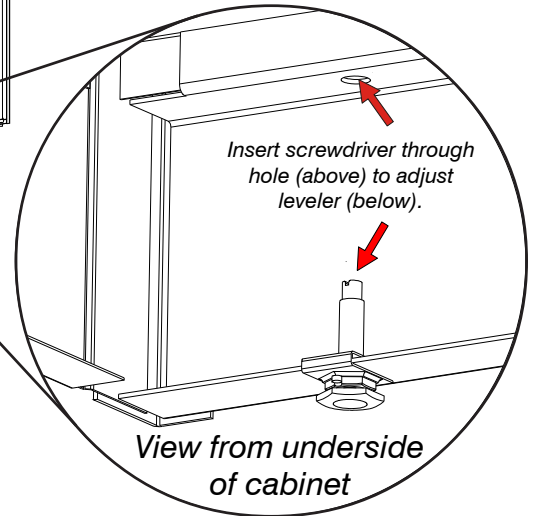
Shelf Adjustment

1. Using a flat-head screwdriver, gently pull the dimpled tab away from the hole in the shelf edge. This will allow the shelf to be released and lifted from the tab.
2. Place the shelf at the desired level.
3. Insert the shelf edges into the tabs at the new location. Be sure that the shelf is securely fitted into the tabs at all points of contact.



Leveling the Cabinet

1. If cabinet doors don't easily open and close, your unit likely needs leveling.
2. Open the cabinet doors and locate the leveling hole on each side of the cabinet base.
3. Insert a flathead screwdriver into each leveling hole, and turn the screw until the leveler is at the desired position.
4. If cabinet is properly leveled, doors should open and close freely.



REPLACEMENT PARTS

PART DESCRIPTION	78" Tall Cabinets		72" Tall Cabinets	42" Tall Cabinets
	(36"w x 18"d)	(36"w x 24"d)	(36"w x 18"d)	(36"w x 18"d)
	Putty: ALE-CM7818PY	ALE-CM7824PY	ALE-CM7218PY	ALE-CM4218PY
	Light Grey: ALE-CM7818LG	ALE-CM7824LG	ALE-CM7218LG	ALE-CM4218LG
	Black: ALE-CM7818BK	ALE-CM7824BK	ALE-CM7218BK	ALE-CM4218BK
Shelf	301	302	301	301
Locking Handle (for right door)	043LH	043LH	043LH	043LH
Dummy Handle (for left door)	043DH	043DH	043DH	043DH
Cam	LC-1	LC-1	LC-1	LC-1
Cotter Pin	CTRPN	CTRPN	CTRPN	CTRPN
Lock Bar	04LB	04LB	944LB	978LB
Lock Bar Guide Insert (QTY 2)	944GI	944GI	944GI	944GI
Leveling Foot	LTAL-1	LTAL-1	LTAL-1	LTAL-1

TO OBTAIN PROPER REPLACEMENT PARTS, PLEASE PROVIDE THE FOLLOWING INFORMATION:

- Model Number
- Description of part(s) needed and part number(s) as shown in Parts List (above)
- Color (Champagne Putty, Light Grey, Black)
- Was item missing, or was it damaged?
- Purchase Date
- Your company name
- Contact person's name

USSCo, 1 Pkwy North, Ste 100, Deerfield, IL 60015 Customer Service: (800) 733-4000

If requesting parts by telephone, ask for customer service and have as much of the above information ready as possible.