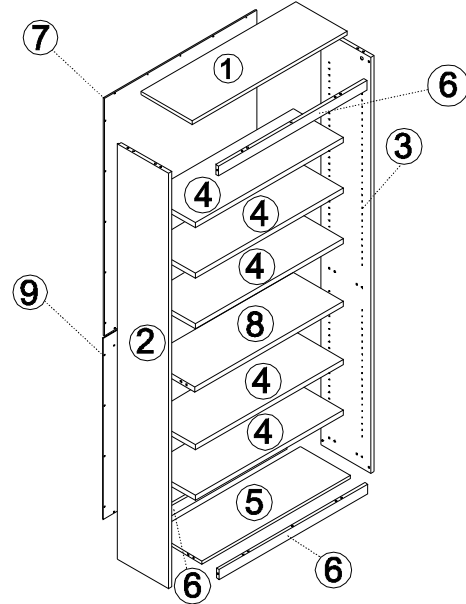
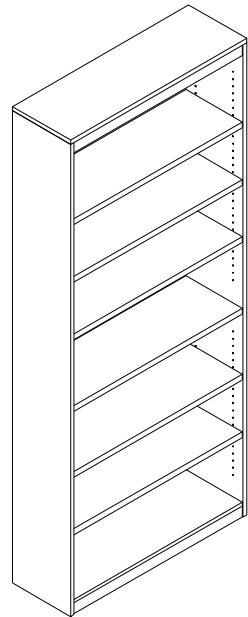




7-Shelf Bookcase
Libreo de 7 repisas
Bibliothèque de 7 étagères

ALE-BCS78436

P.1

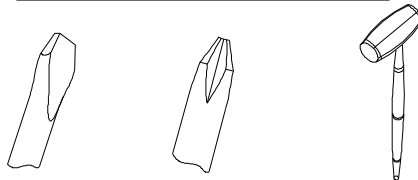


Important:

All parts should be identified and matched up against the parts list. It is advisable to assemble on carpet to avoid scratches.

DO NOT USE POWER TOOLS TO ASSEMBLE YOUR FURNITURE. POWER TOOLS MAY STRLPE OR DAMAGE THE PARTS.

TOOLS REQUIRED
herramientas necesarias



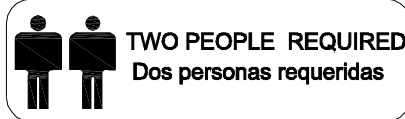
Importante:

Todas las piezas deben ser identificadas y comparadas con la lista de piezas. Es aconsejable hacer ef ensamble sabre una alfombra para evitar raspaduras.

NO USE HERRAMIENTAS ELECTRICAS PARA MONTAR SUS MUEBELS. HERRAMIENTAS ELECTRICAS SE PUEDEN DAÑAR O ESTROPEAR LOS COMPONENTS.

Cleaning Instructions:

Use a soft cloth with mild cleaning solution. Never use anything abrasive or any harsh chemicals



Instrucciones de limpieza:

Use un paño suave con una solución de limpieza no agresiva . Nunca use nada agresivo ni productos químicos fuertes.

| PART Pieza Pièce | ITEM Descripcion article | QTY Cant qté | |
|------------------------|--|--------------------|--|
| ① | TOP PANEL panel superior panneau supetieur | 1 | |
| ② | LEFT SIDE PANEL panel lateral izquierdo panneau latéral gauche | 1 | |
| ③ | RIGHT SIDE PANEL panel lateral deerecho panneau latéral droit | 1 | |
| ④ | ADJUSTED SHELF estante regulable tablette | 5 | |
| ⑤ | BOTTOM FIXED SHELF estante fijo étagère inférieure fixe | 1 | |

| PART Pieza Pièce | ITEM Descripcion article | QTY Cant qté | |
|------------------------|---|--------------------|--|
| ⑥ | KICKBOARD zocalo plache de départ | 3 | |
| ⑦ | BACK PANEL UPPER panel tasero pannéau arrière | 1 | |
| ⑧ | MIDDLE FIXED SHELF estante fijo central étagère inférieure fixe | 1 | |
| ⑨ | BACK PANEL LOWER panel tasero pannéau arrière | 1 | |

| | | | | |
|-------------------|-------------------|-----------------------|-------------------|------------------------------|
| A X 18 | B X 27 | C X 27 | D X 20 | E X 38 ø3X16mm |
| F X 4 | G X 4 | H X 1 pack | HARDWARE | |

Product support and parts:
 Ayuda del producto y partes: 1-800-733-4000
 Support technique et pieces:

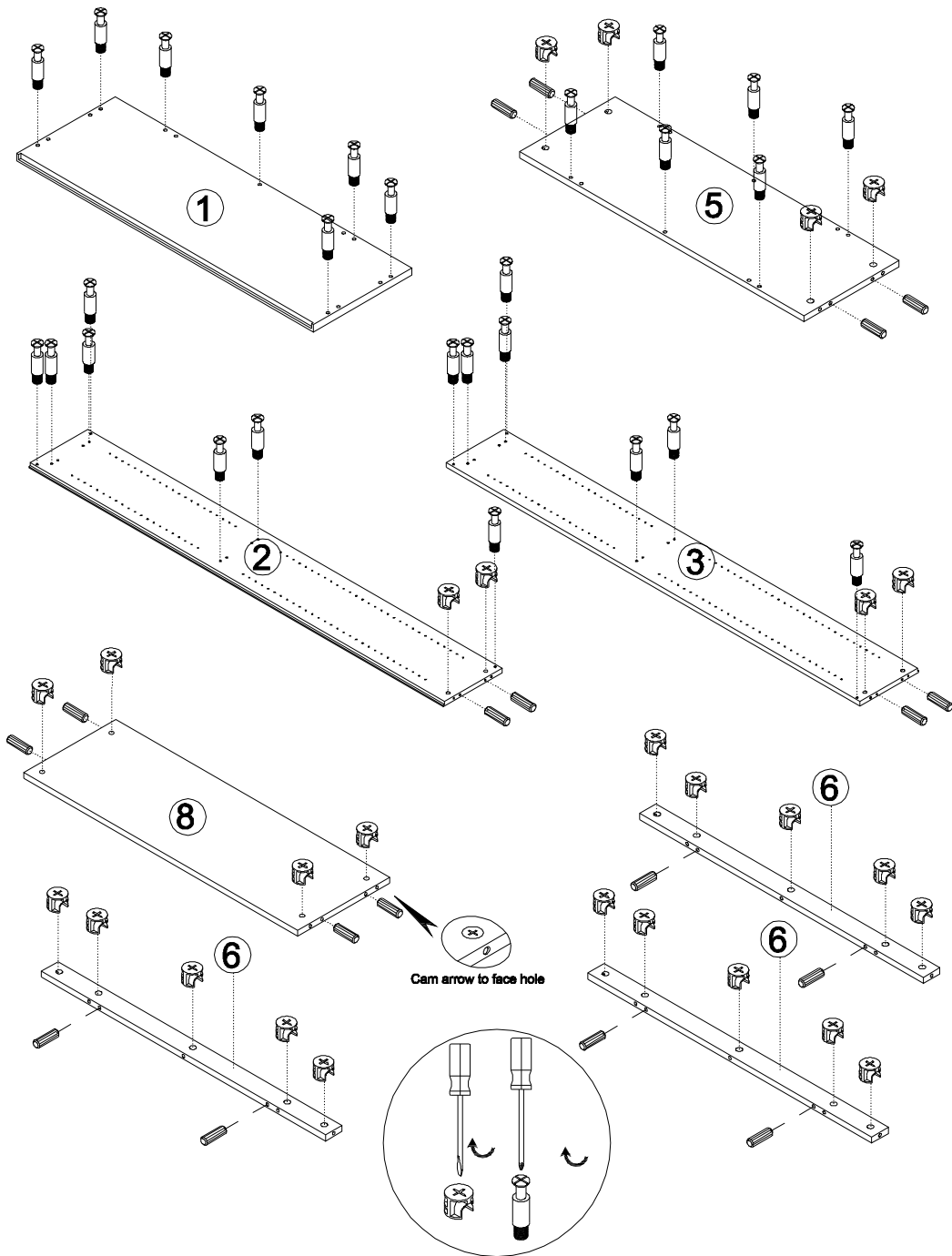
10-015/6K

Manufactured for /Hecho para/ Fabriqué pour Alera®Essendant Co.
 One Parkway North, Deerfield, IL 60015 © 2015 Essendant Co.
 Made in/Hecho en/Fabriqué en China

ALE-BCS78436

P.2

- 1**
- A** X18
 - B** X27
 - C** X27



Insert the screw into bolt and tighten by manual screw driver.
When screw is completely tightened the tip of the bolt will expand and hold tightly.

